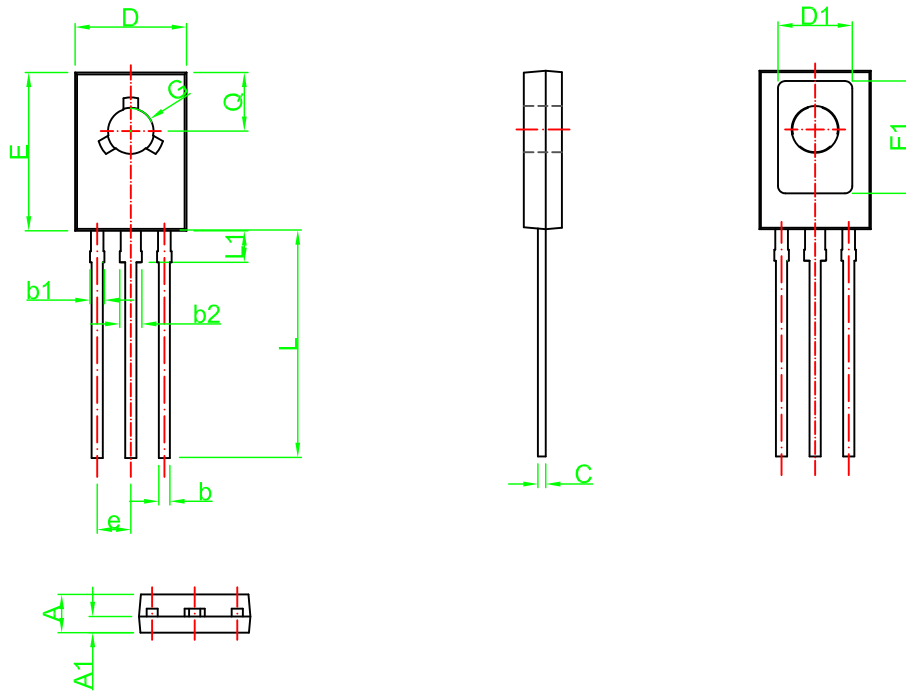


禁用RoHS / REACH/SS00259 之有害物質



Symbol	Dimensions in Millimeters		Dimensions in Inches	
	Min	Max	Min	Max
A	2.29	3.04	0.090	0.120
A1	0.890	1.65	0.035	0.065
b	0.64	0.88	0.025	0.035
b1	0.70	1.10	0.028	0.043
b2	1.15	1.65	0.045	0.065
C	0.30	0.70	0.012	0.028
D	7.12	8.38	0.280	0.330
D1	4.97	5.30	0.196	0.209
E	10.16	11.43	0.400	0.450
E1	7.80	8.10	0.307	0.319
e	2.29 TYP		0.090 TYP	
G	3.20 REF		0.126 REF	
Q	3.31	4.44	0.130	0.175
L	15.12	16.63	0.595	0.655
L1	---	2.54	---	0.100

Refer to JEDEC NO. TO-126



友順科技股份有限公司  
UNISONIC TECHNOLOGIES CO.,LTD

正式發行圖面	
SCALE	mm
2:1	0 30
SHEET	THIRD ANGLE PROJECTION
1 of 1	FOR ISSUE
ENG	Ken Huang 2019/12/05
APPR	Yen Hsiao 2019/12/05
UTC Doc.Control Center	

REV: A3  
PART NO:TO-126  
DWG NO:DIM-TO-126-000-A3

TITLE  
TO-126  
Package Dimensions